

For reference only. See data sheet for the detailed specifications.

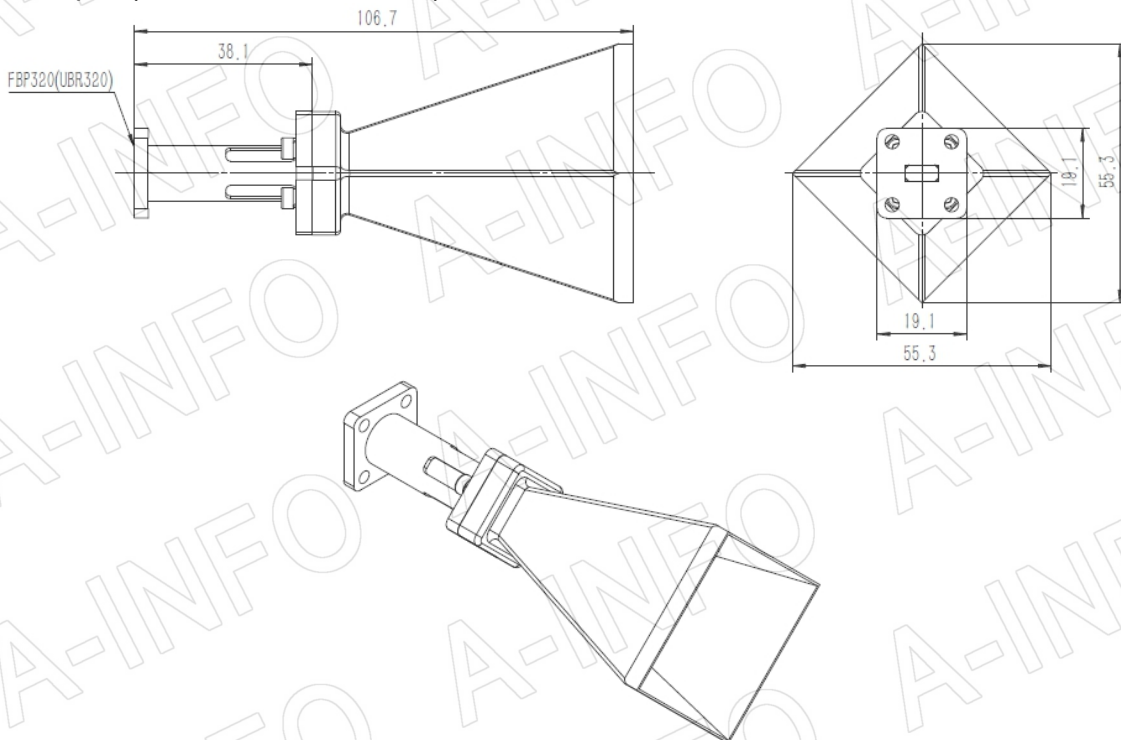
Technical Specification



Frequency Range(GHz)	26.5 - 40.0	
Waveguide	WR28	
Gain(dBi)	20 Typ.	
Polarization	Linear	
3dB Beamwidth(deg)	E Plane:	15 Typ.
	H Plane:	15 Typ.
Side Lobe Level(dB)	E Plane:	30 Min.
	H Plane:	35 Min.
Cross Pol. Isolation(dB)	40 Typ.	
VSWR	A Type:	1.20:1 Max.
	C Type:	1.50:1 Max.
Output	A Type:	FBP320(UBR320)
	C Type:	2.92mm-Female or 2.4mm-Female
Material	Cu	
Finish	Gold Plated, Gray Paint	
Size(mm)	A Type:	55.3 x 55.3 x 106.7
	C Type:	55.3 x 55.3 x 130.7
Net Weight(Kg)	A Type:	0.12 Around
	C Type:	0.16 Around

Outline Drawing (Size: mm)

FBP320 Output (P/N: LB-DG-28-20-A)



AINFO Inc.

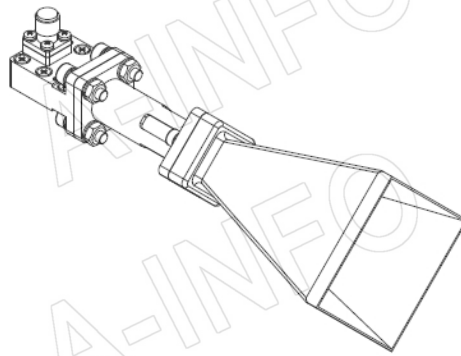
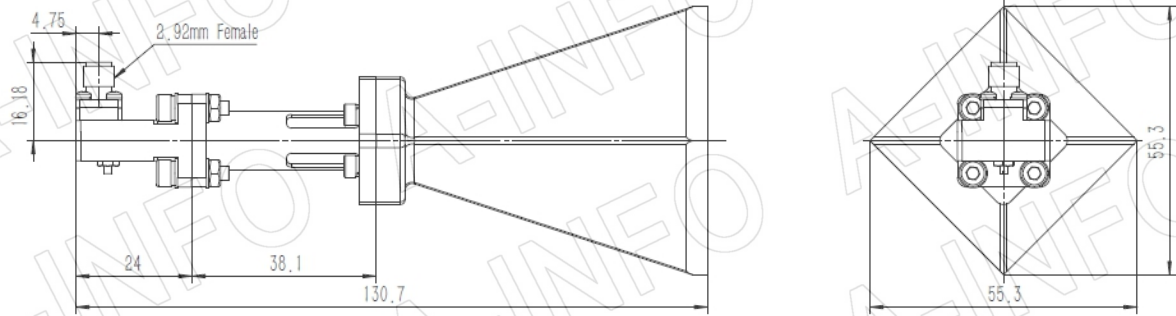
China(Beijing): Tel: (+86) 10-6266-7326,
China(Chengdu): Tel: (+86) 28-8519-2786,
USA: Tel: (+1) 949-639-9688,

(+86) 10-6266-7327 Fax: (+86) 10-6266-7379
(+86) 28-8519-3044 Fax: (+86) 28-8519-3068
(+1) 949-639-9608 Fax: (+1) 949-639-9670

Website: www.ainfoinc.com
Email: sales@ainfoinc.com

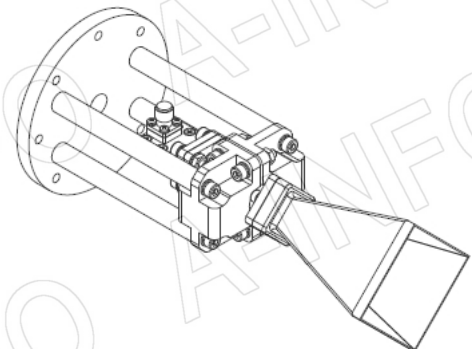
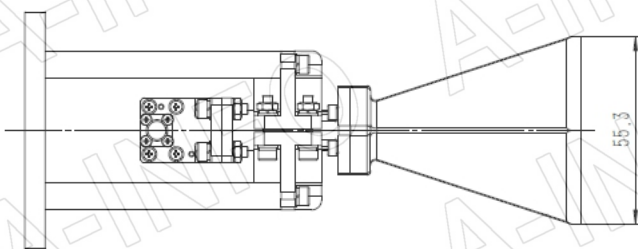
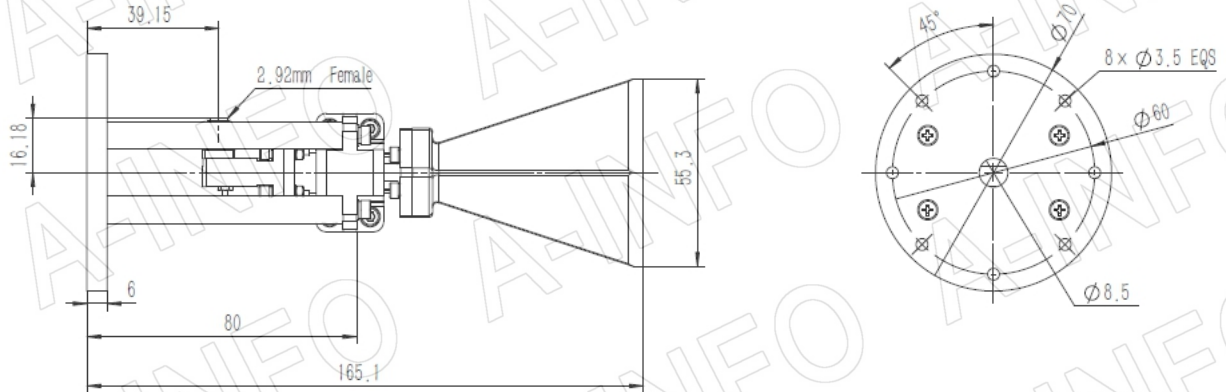
2.92mm-Female Output (P/N: LB-DG-28-20-C-KF)

For 2.4mm-Female output outline drawing, please contact A-INFO.



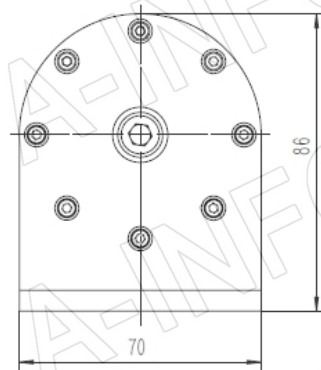
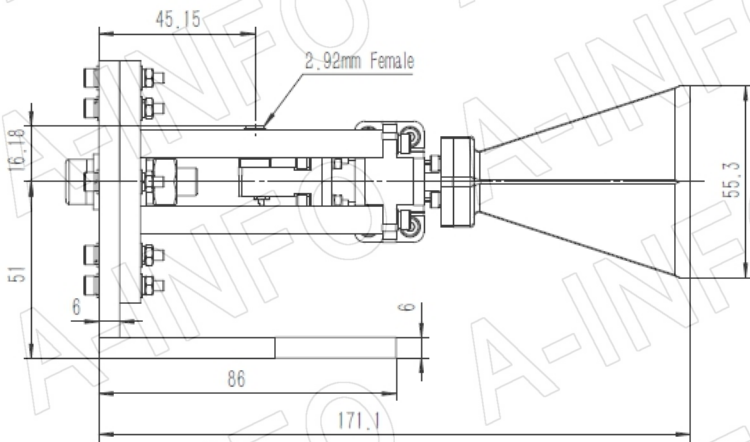
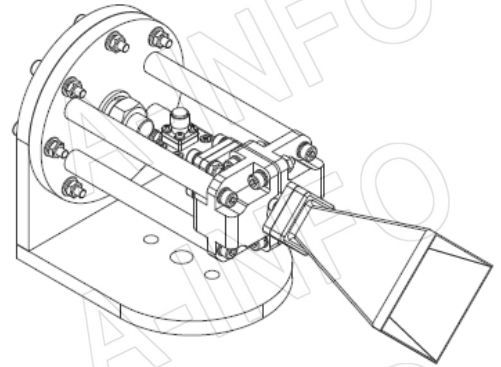
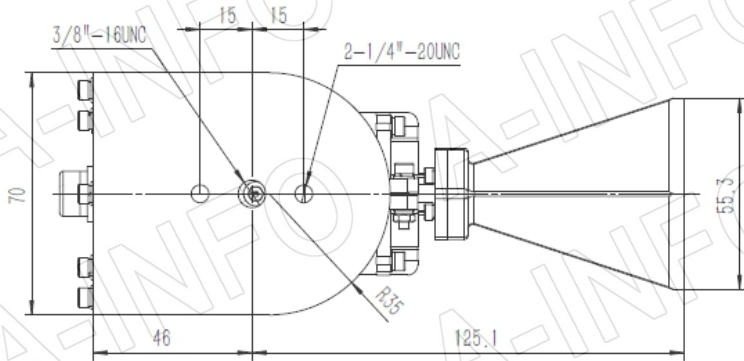
2.92mm-Female Output with Round Mounting Bracket (Option, P/N: LB-DG-28-20-MB)

For 2.4mm-Female output outline drawing, please contact A-INFO.

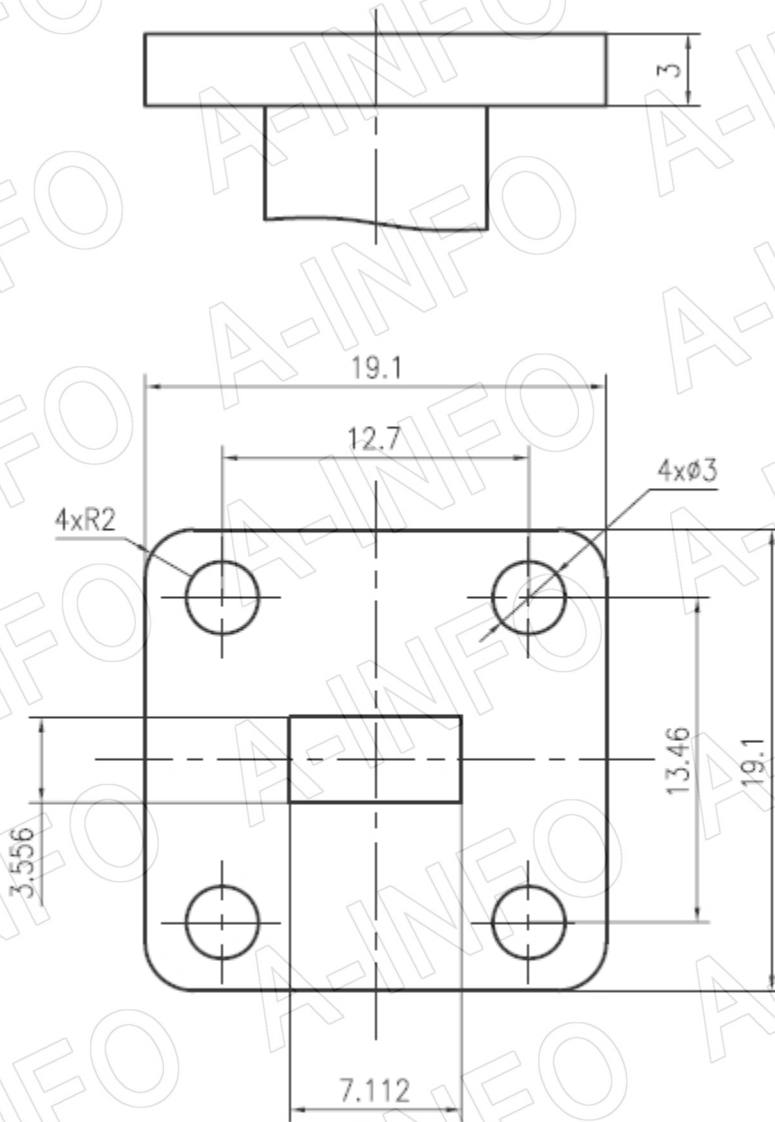


2.92mm-Female Output with L Type Mounting Bracket (Option, P/N: LB-DG-28-20-MBL)

For 2.4mm-Female output outline drawing, please contact A-INFO.



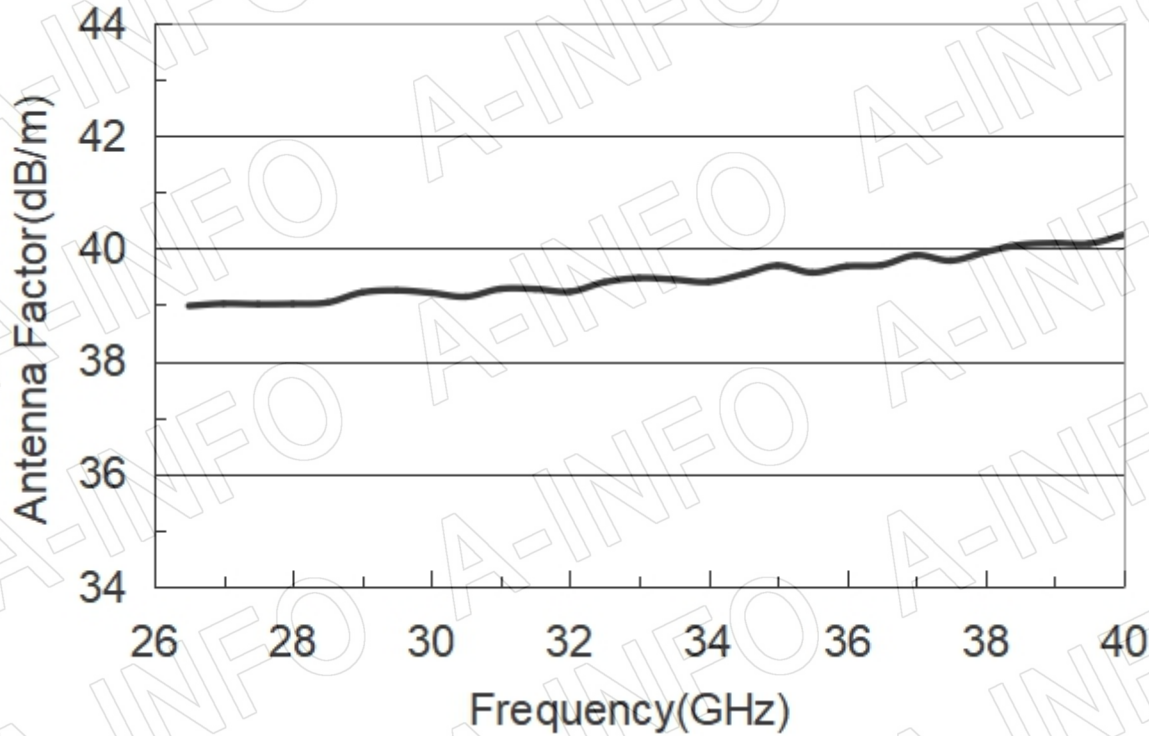
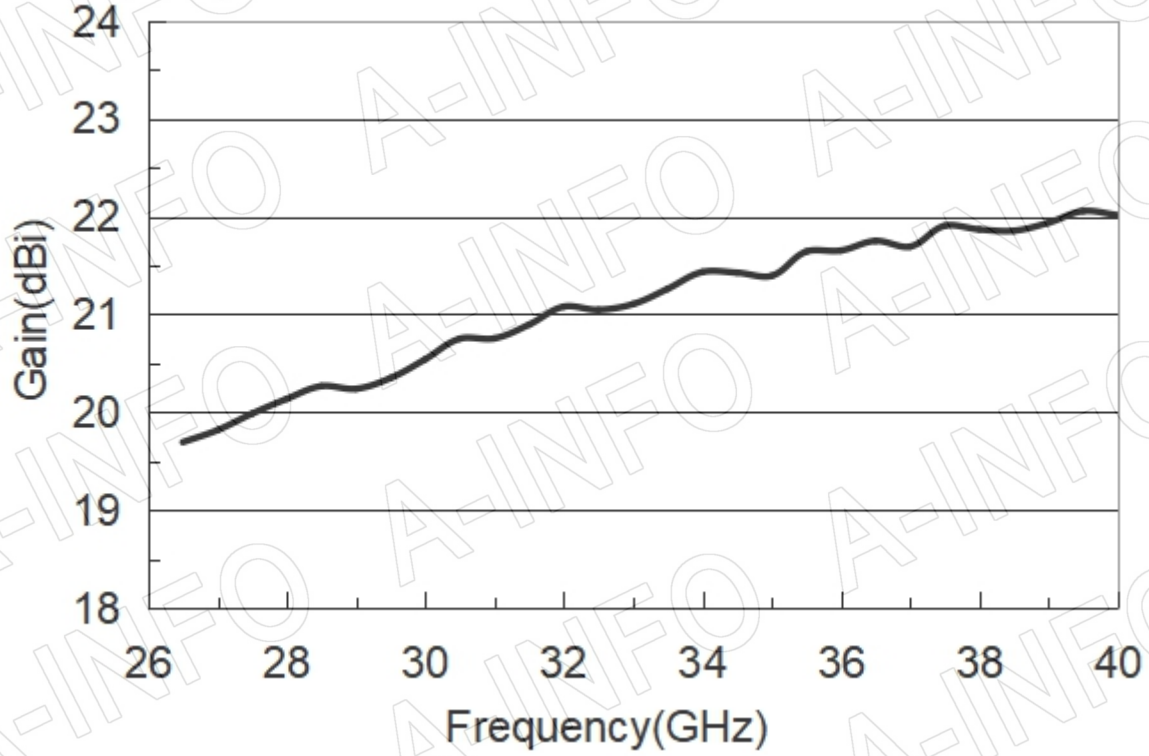
Flange Drawing (Size: mm)



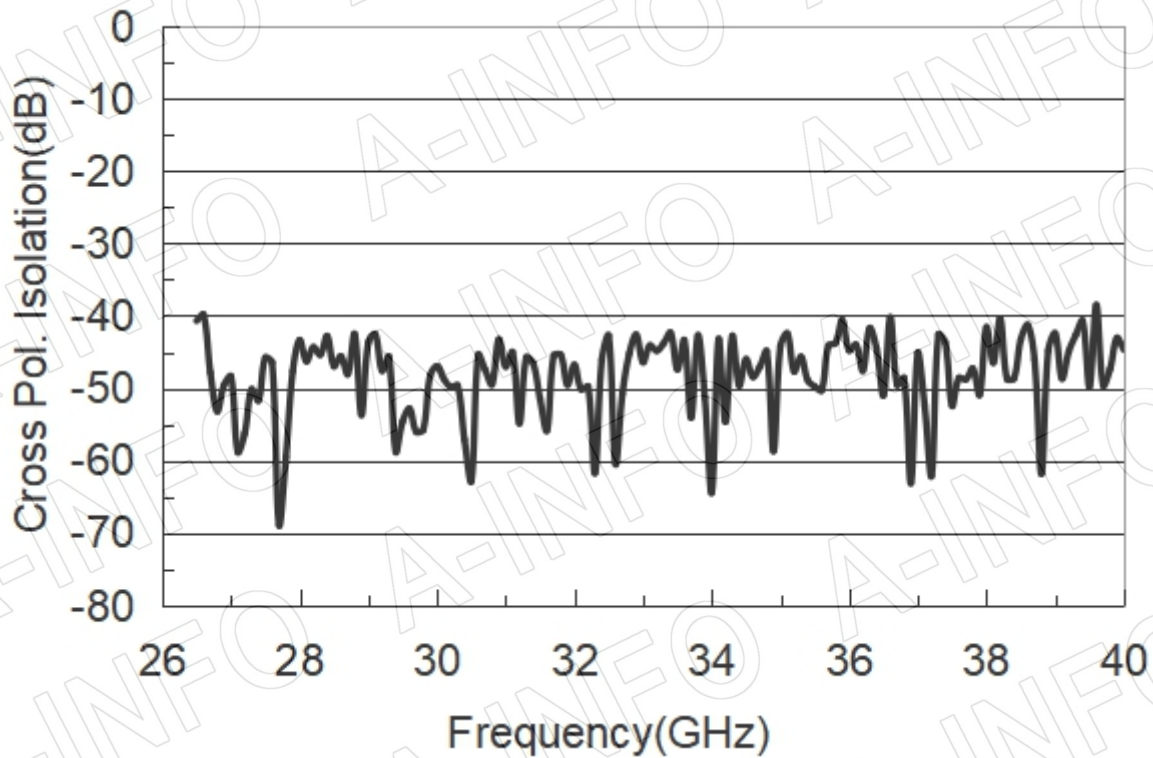
FBP320

Test Results

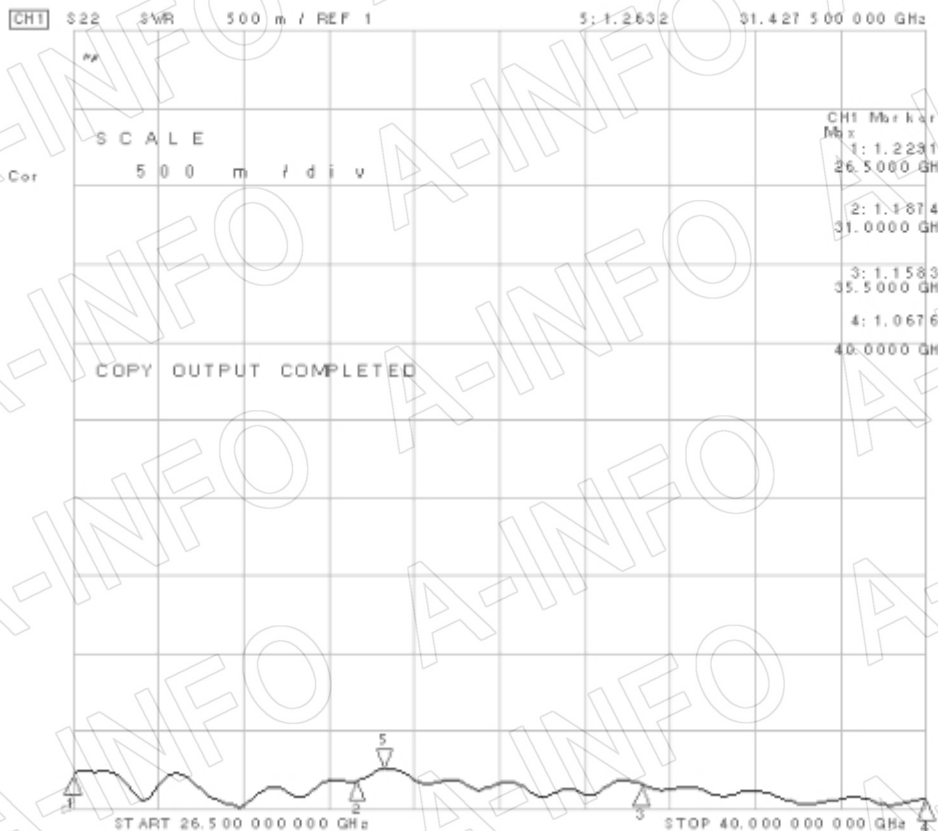
1. Gain & Antenna Factor



2. Cross Polarization Isolation



3. VSWR(C Type)



4. Pattern

